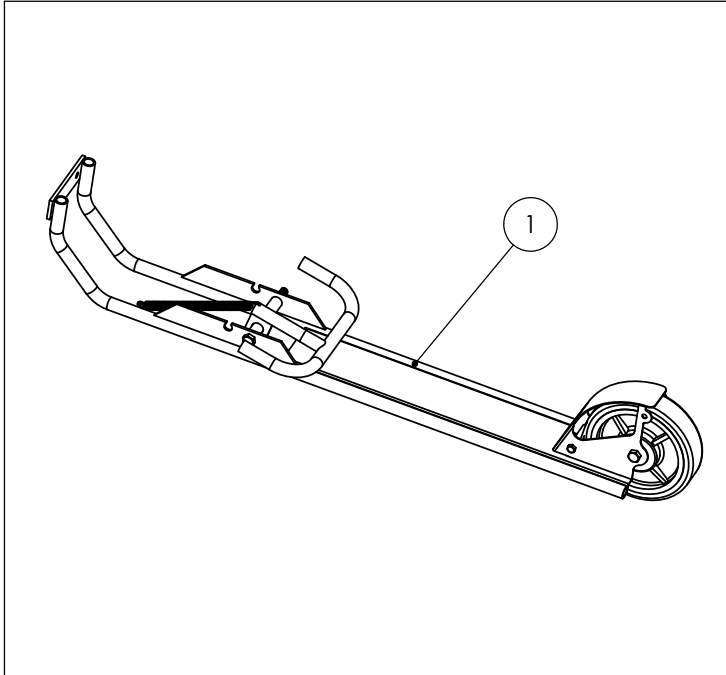
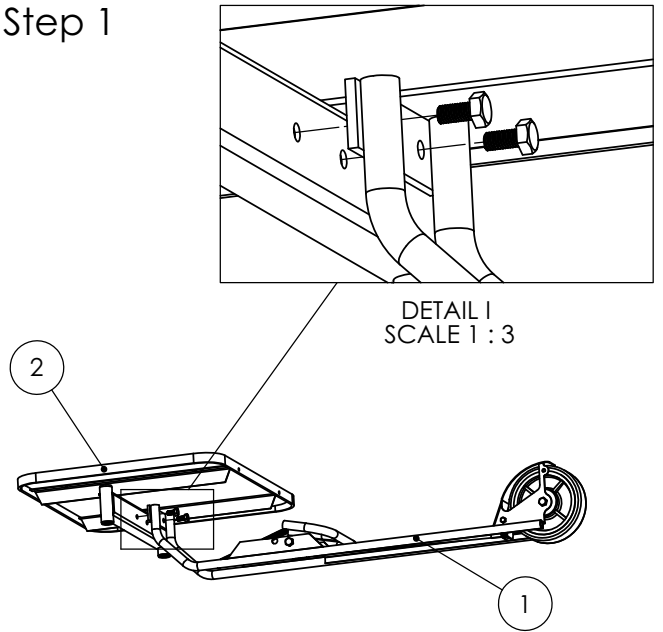


Assembly Instructions

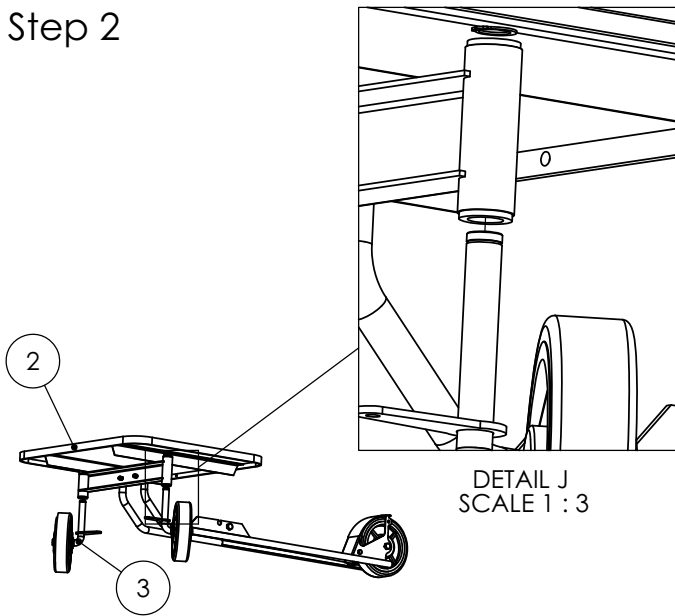
Name: Kich bike 58020



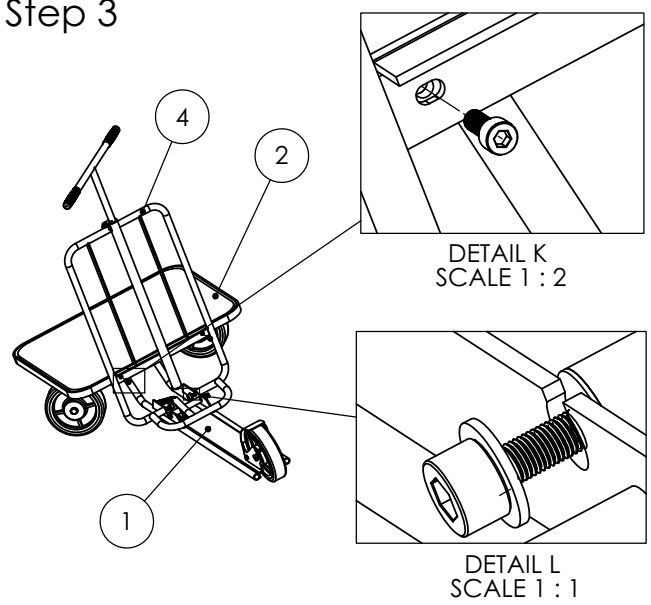
Step 1



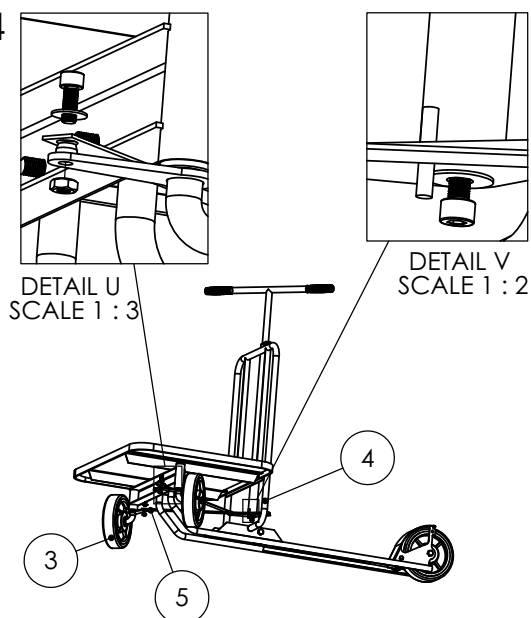
Step 2



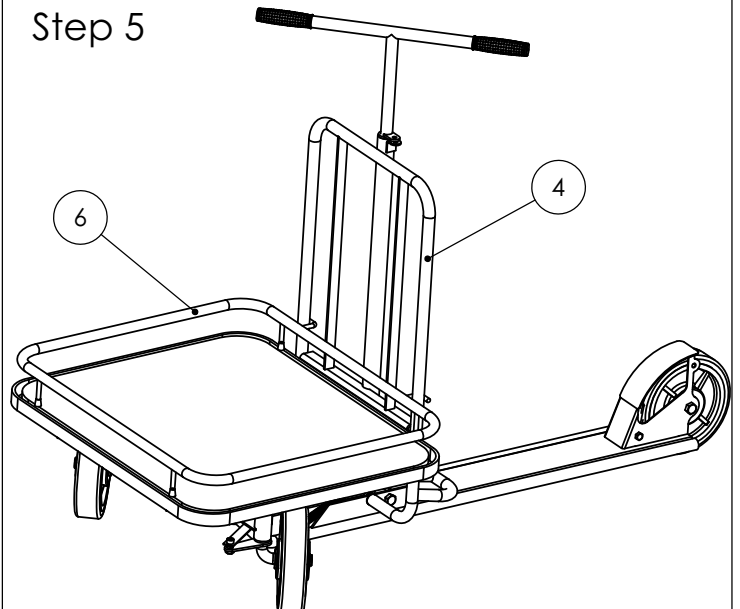
Step 3



Step 4

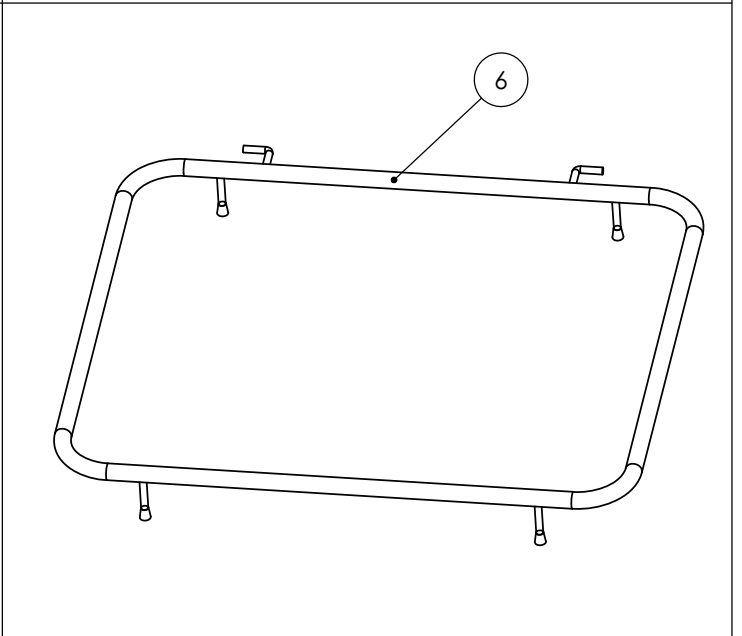
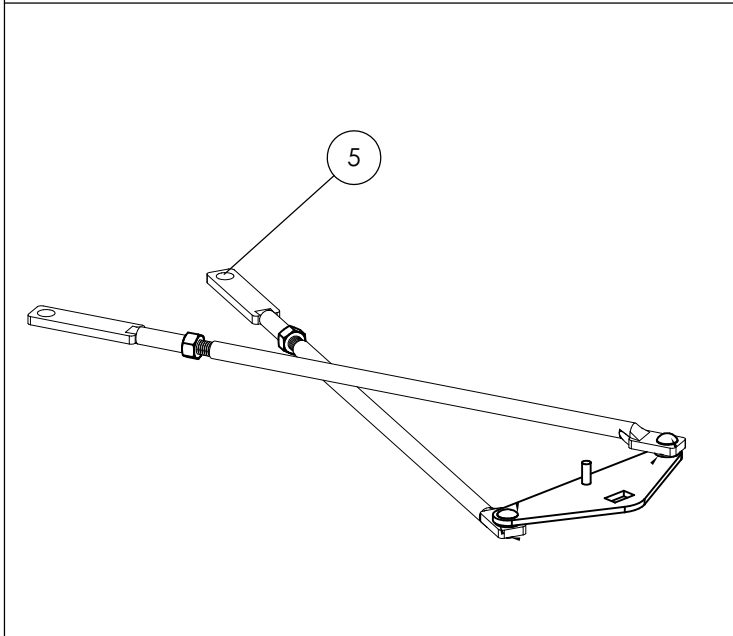
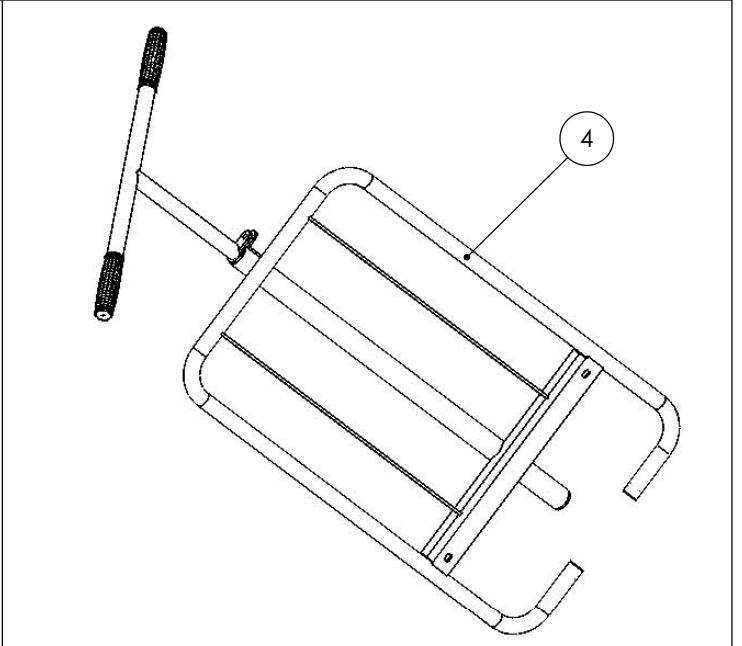
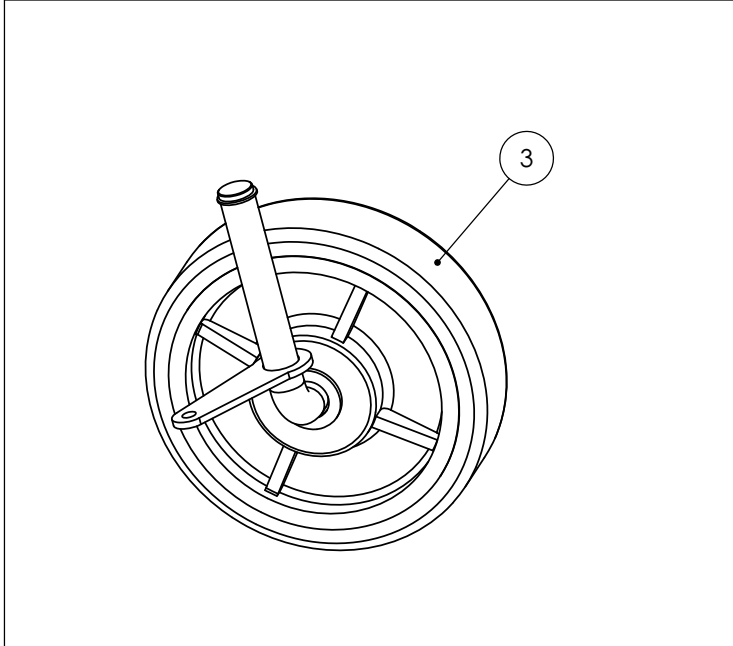
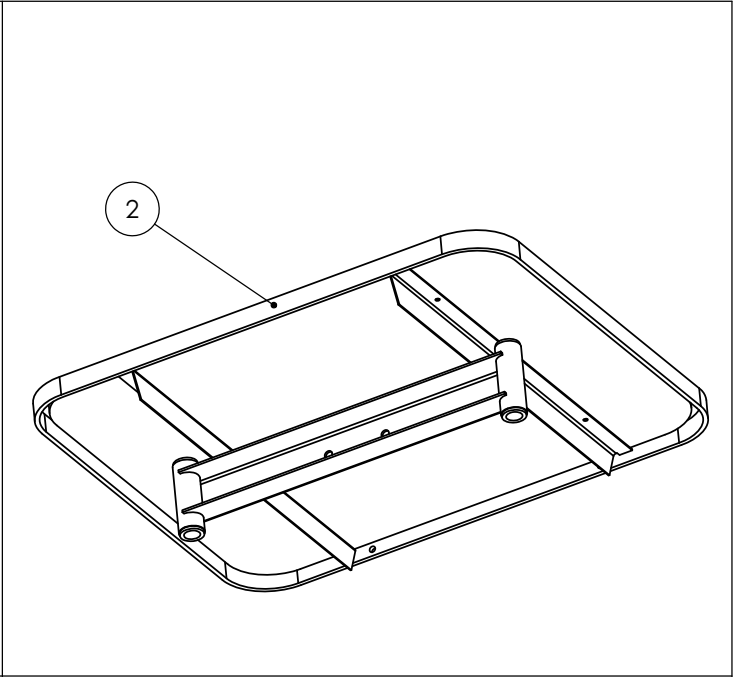
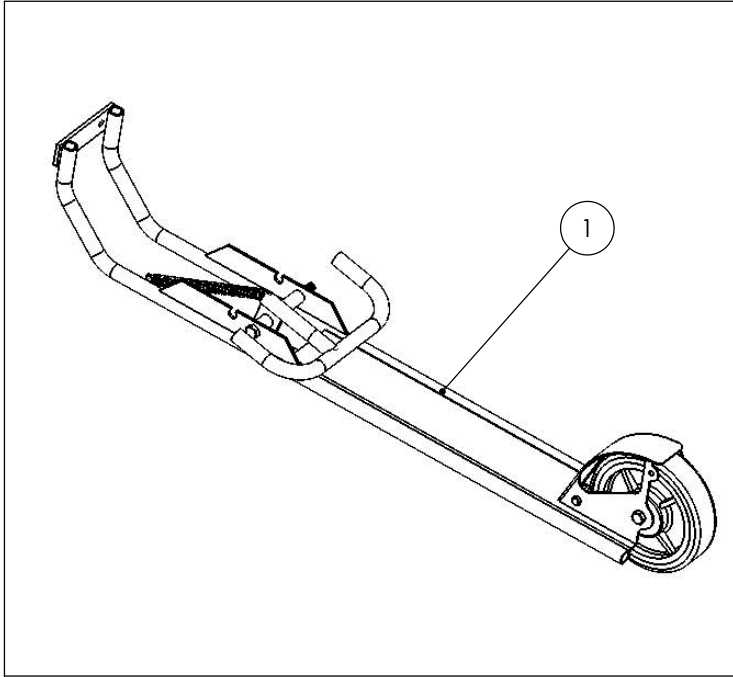


Step 5



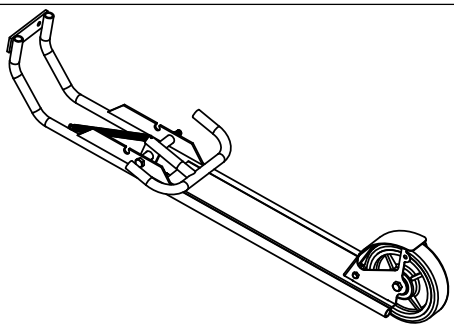
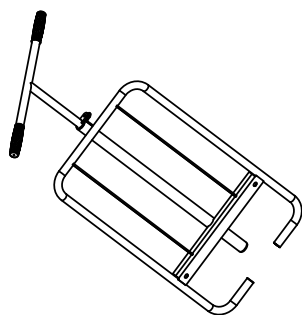
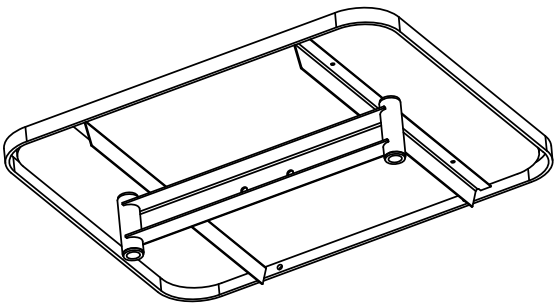
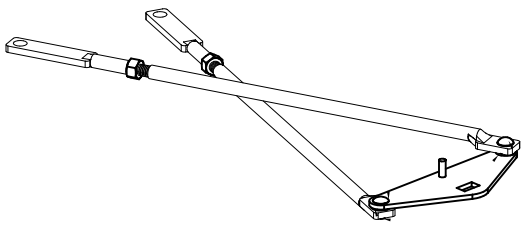
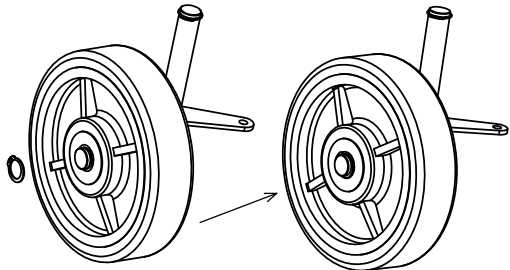
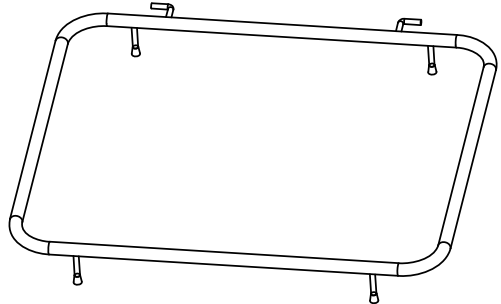
Assembly Instructions

Name: Kich bike

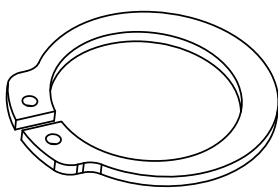
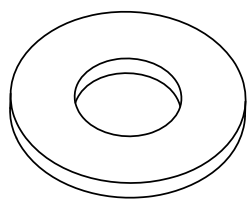
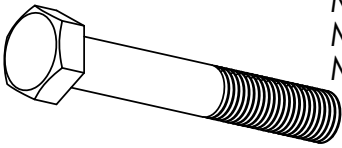
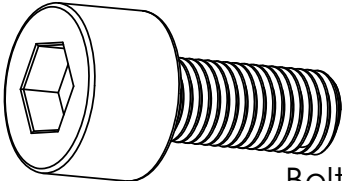
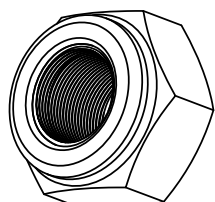
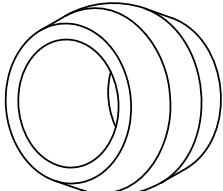


Assembly Instructions

Name: Kich bike 58020

No	Name	Q'ty	No	Name	Q'ty
1		1	4		1
2		1	5		1
3	 Left(1pc) - Right(1pc)	2	6		1

Hardware List

No	Name	Q'ty	No	Name	Q'ty
1		4	4	 Washer M10- 2pcs Washer M8 - 5pcs Washer M12- 2pcs	9
2	 Bolt M12x80 - 1pcs M8x80 - 1pcs M12x140- 1pcs M8x30 - 1pcs M10x30 - 2pcs	6	5	 Bolt M10x30 -2pcs Bolt M8x20 - 5pcs	7
3	 Nut M8 - 5pcs Nut M12- 2pcs	7	6		2